

Specifications:

Height: 22.0" (55.88 cm)

Width: 21.25" (53.98 cm) with Bracket

Depth: 12.3" (31.24 cm) with Bracket

Weight: 39.0 lbs (17.7 kg)

Ports: 1"-11 1/2 NPT

Service Clearance (Top): 10.0" (25.4 cm)

Vacuum Installation Recommended

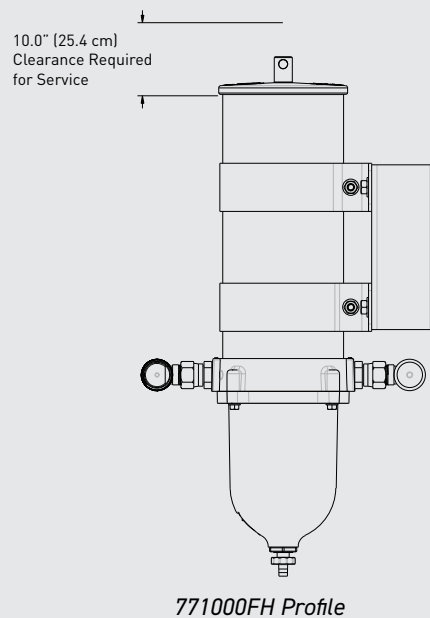
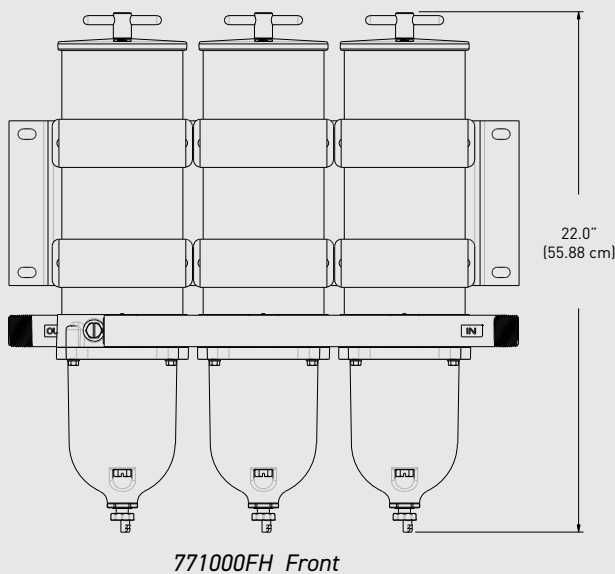
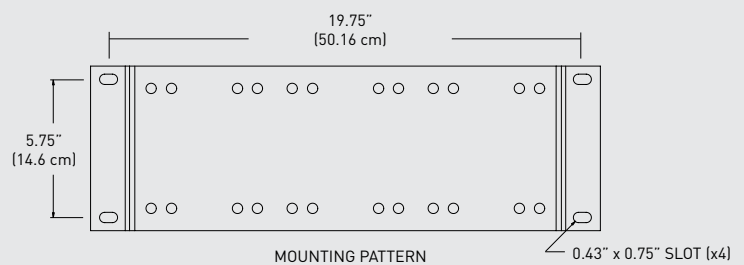
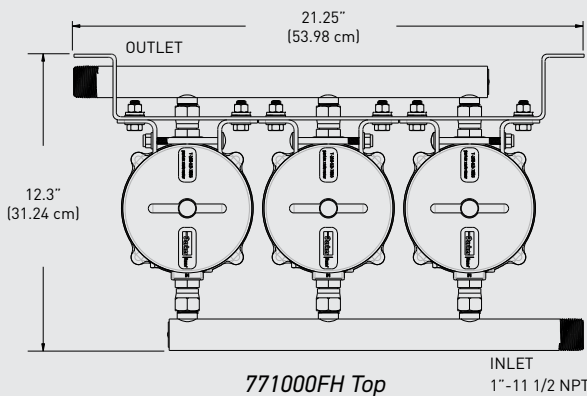
Maximum Pressure: 15 psi (1.03 bar)

Max Flow Rate: 540 gph (2044 lph)

FH Model Superseded to FV Model.
See RSL0428 FH-FV Change Notification
for available assemblies crosses.

RACOR

Dimensions:



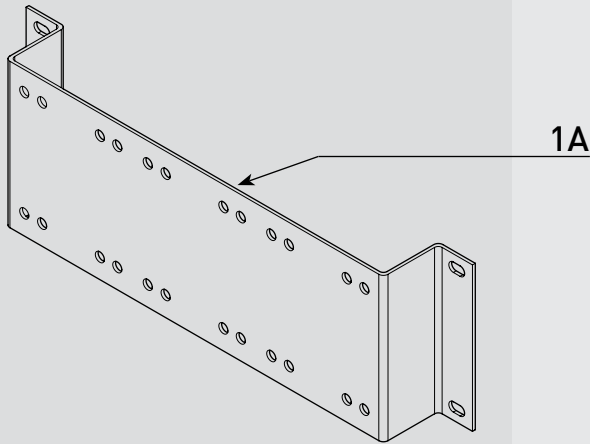
TRIPLE ASSEMBLIES



PARTS

Turbine Series - 771000FH

1



Part #	Description
1A	Mounting Bracket - <i>Contact Technical Support</i>
2A	Inlet/Outlet Manifold Tube - <i>Contact Technical Support</i>
3A	Turbine Fuel Filter - 1000FH Series See Cutsheet RSL0292 for available Parts and Accessories

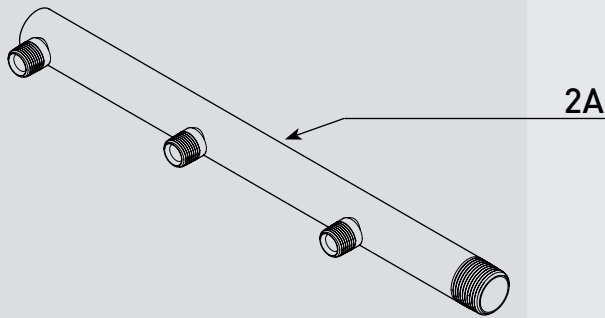
Accessories and Parts Available (Not Shown)

4A	RK 11-1952	Complete Seal Service Kit - 900FH/1000FH Series Filters (Requires 2)
	RK 11-1404	Complete Seal Service Kit - 900/1000 Series Filters For FG and Older Models (Requires 2)
4B	RK30880E	WIF Sensor and Light Kit - 1/2"-20 UNF
	RK33802	WIF Probe Kit - 1/2"-20 UNF - Two Wire Pigtail Water Detection Module Required - Use 4C
4C	RK 14329	Water Detection Module - 12 vdc
	RK 14321	Water Detection Module - 24 vdc

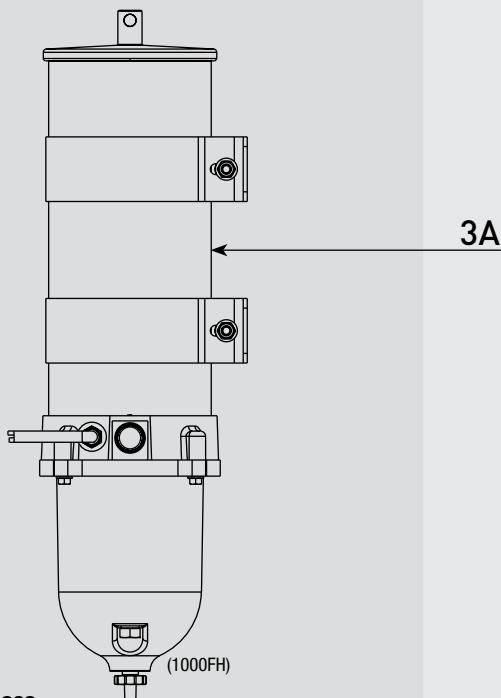
5A		Bowl Gasket - Included in 4A
5B	RK 11-1938	Bowl Kit - Includes 5A, 5C & 5D
5C	RK 20126	Bowl Plug (O-ring Included in 4A)
5D		Self-venting Drain (O-ring Included in 4A)

6A	2020V2	1000FH Replacement Element 2 micron
	2020V10	1000FH Replacement Element 10 micron
	2020V30	1000FH Replacement Element 30 micron

2



3



See **RSL0292**
For 1000FH Parts Breakdown



Online Link
Turbine Series Selector



Online Link
Turbine Series
Replacement Parts Selector